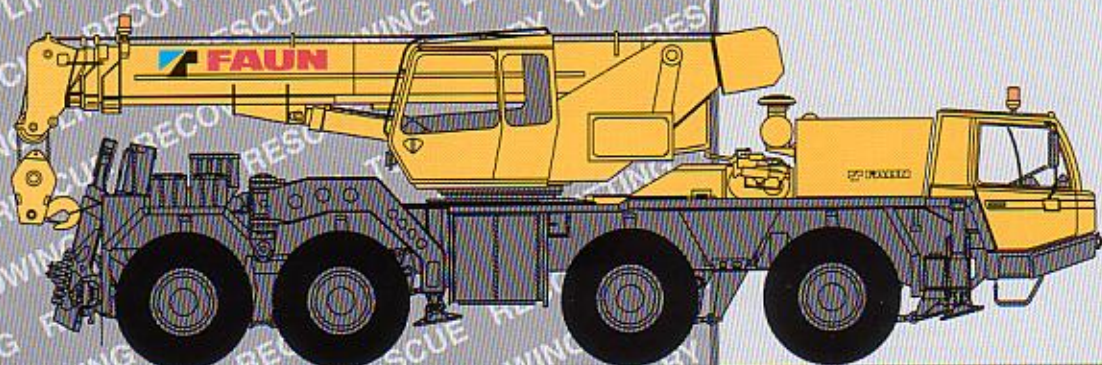
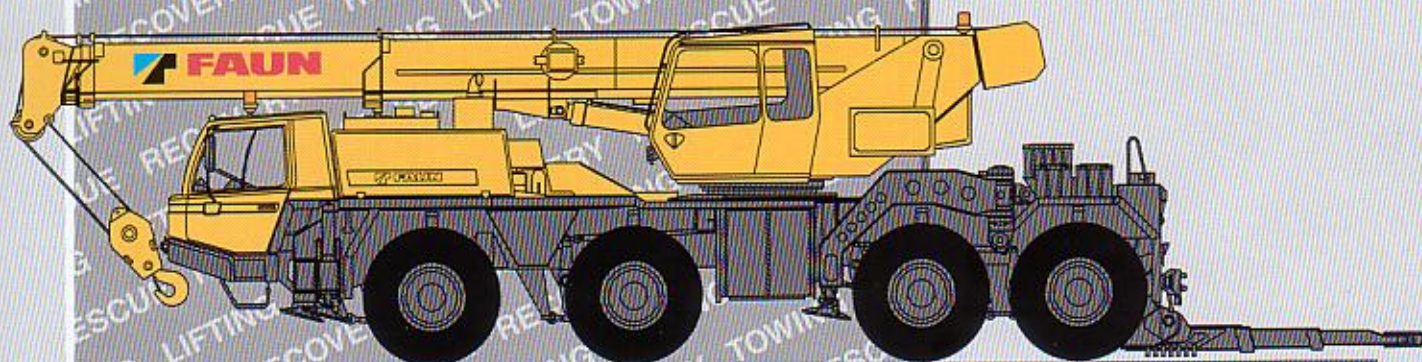
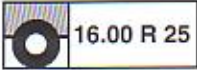


RECOVERY VEHICLE
BKF 35-4

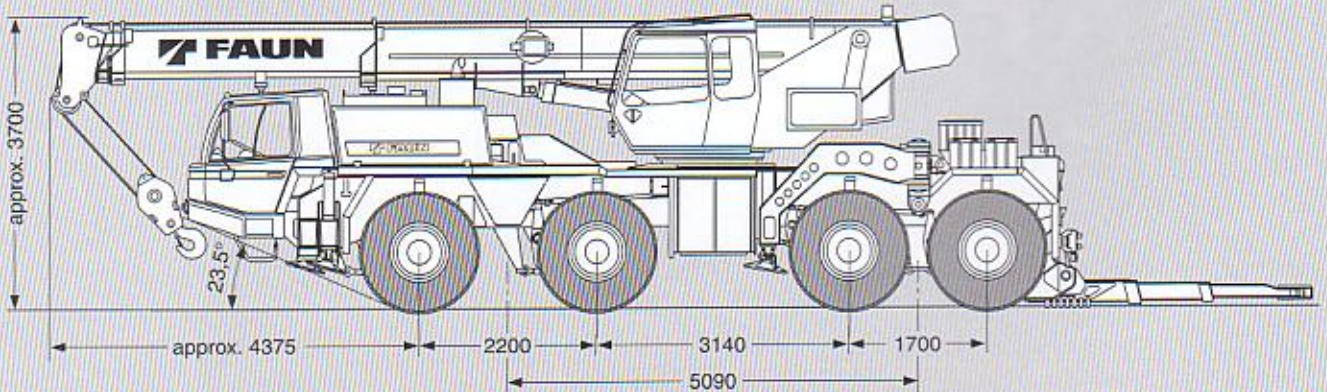
ISO 9001



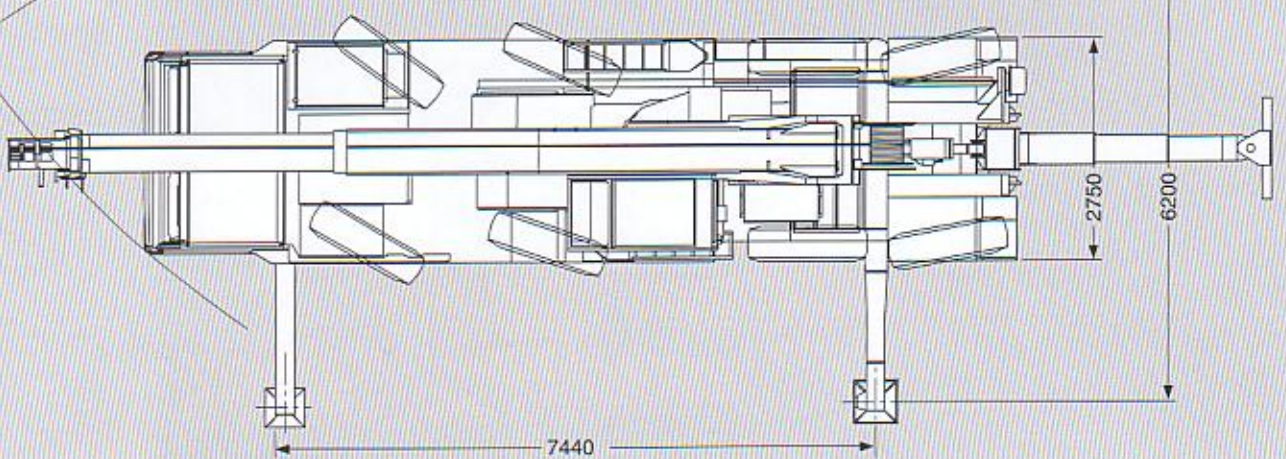
Dimensions (mm)



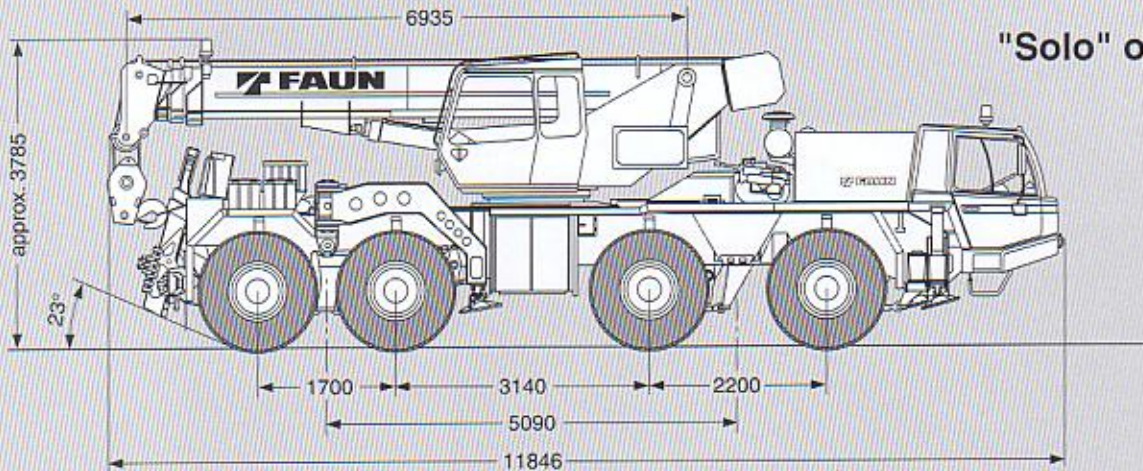
Towing operation



Turning circle approx. 25 m



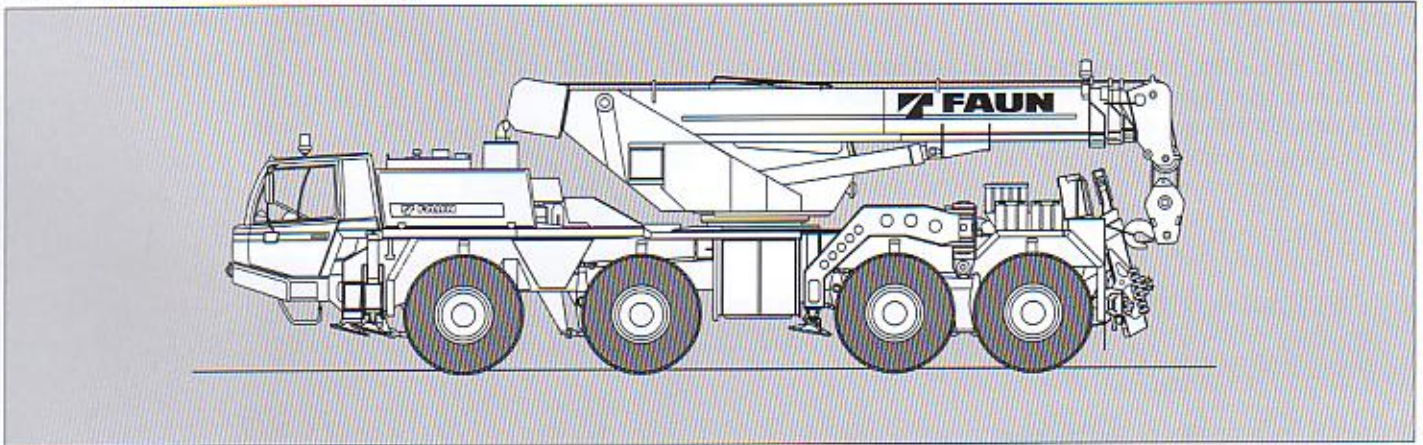
"Solo" operation



Weights and axle loads

"Solo" operation

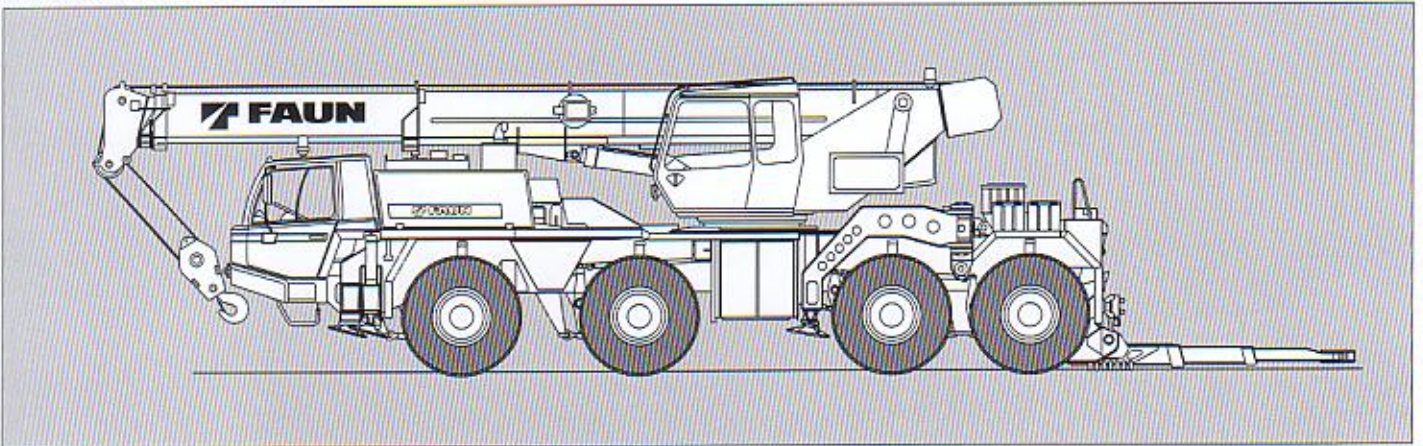
with lifting cradle and towing coupling



1st axle	approx. 9100 kg
2nd axle	approx. 9100 kg
3rd axle	approx. 6930 kg
4th axle	approx. 6930 kg
Total weight	31960 kg
Optional equipment	32000 kg

Towing operation

Driving with max. hoisting load P on towing cradle



1st axle	approx. 8060 kg
2nd axle	approx. 8060 kg
3rd axle	up to 12000 kg
4th axle	up to 12000 kg
Total weight	up to 40000 kg

Permissible axle loads

1st axle	10000 kg
2nd axle	10000 kg
3rd axle	12000 kg
4th axle	12000 kg
Total	40000 kg

Technically admissible axle loads

1st axle	12000 kg
2nd axle	12000 kg
3rd axle	13000 kg
4th axle	13000 kg
Total	44000 kg

Lifting heights



DIN

